

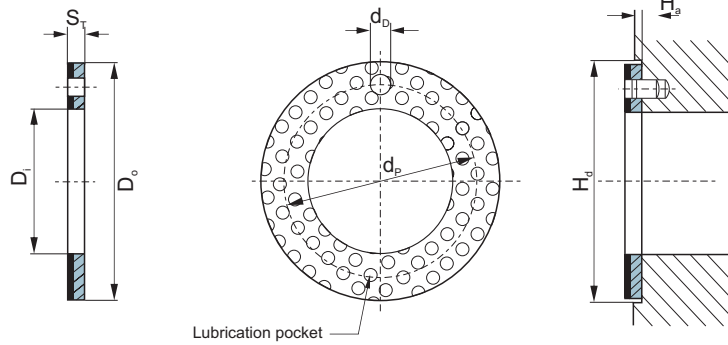
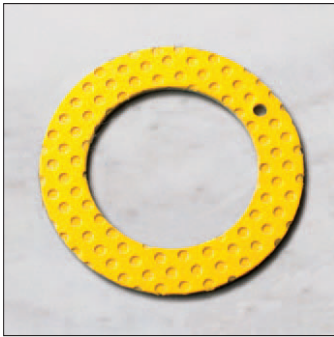
CSB-20 Metric Cylindrical Bushes

Unit:mm

| Shaft D _s h8 | Housing H7 D _H | OD tolerance D _o | ID after fixed D _{l,a} | Clearance C _o | Wall thickness S ₃ | Oil hole d _L | B ⁰ _{-0.40} | | | | | | | | | | | |
|-------------------------------|---------------------------------|---|---------------------------------------|-----------------------------|-------------------------------------|-------------------------------|---------------------------------|-----------------|-----------------|-----------------|-----------------|-----------------|-----------------|------------------|------------------|------------------|------------------|------------------|
| | | | | | | | 40 | 50 | 60 | 80 | 90 | 95 | 100 | 110 | 120 | | | |
| 65 _{-0.046} | 70 ^{+0.030} | 70 ^{+0.100} _{+0.055} | 65.200 65.080 | 0.246 0.080 | 2.460 2.415 | 8 | CSB-20 6540 | | CSB-20 6560 | | | | | | | | | |
| 70 _{-0.046} | 75 ^{+0.030} | 75 ^{+0.100} _{+0.055} | 70.200 70.080 | | | | CSB-20 7040 | CSB-20 7050 | | CSB-20 7080 | | | | | | | | |
| 75 _{-0.046} | 80 ^{+0.030} | 80 ^{+0.100} _{+0.055} | 75.200 75.080 | | | | CSB-20 7540 | | CSB-20 7560 | CSB-20 7580 | | | | | | | | |
| 80 _{-0.046} | 85 ^{+0.035} | 85 ^{+0.120} _{+0.070} | 80.265 80.100 | 0.313 0.100 | | | CSB-20 8040 | | CSB-20 8060 | CSB-20 8080 | | | | | | | | |
| 85 _{-0.054} | 90 ^{+0.035} | 90 ^{+0.120} _{+0.070} | 85.265 85.100 | | | | CSB-20 8540 | | CSB-20 8560 | CSB-20 8580 | | | | | | | | |
| 90 _{-0.054} | 95 ^{+0.035} | 95 ^{+0.120} _{+0.070} | 90.265 90.100 | | | | CSB-20 9040 | | CSB-20 9060 | CSB-20 9080 | CSB-20 9090 | | | | | | | |
| 100 _{-0.054} | 105 ^{+0.035} | 105 ^{+0.120} _{+0.070} | 100.265 100.100 | 0.321 0.100 | | | | CSB-20 10050 | | CSB-20 10080 | | CSB-20 10095 | | | | | | |
| 105 _{-0.054} | 110 ^{+0.035} | 110 ^{+0.120} _{+0.070} | 105.265 105.110 | | | | | | CSB-20 10560 | CSB-20 10580 | | CSB-20 10595 | | | CSB-20 105110 | | | |
| 110 _{-0.054} | 115 ^{+0.035} | 115 ^{+0.120} _{+0.070} | 110.265 110.110 | | | | | | CSB-20 11060 | CSB-20 11080 | | CSB-20 11095 | | | CSB-20 110110 | | | |
| 120 _{-0.054} | 125 ^{+0.040} | 125 ^{+0.170} _{+0.100} | 120.270 120.110 | 0.324 0.110 | | | | | CSB-20 12060 | CSB-20 12080 | | | | | CSB-20 120110 | | | |
| 125 _{-0.063} | 130 ^{+0.040} | 130 ^{+0.170} _{+0.100} | 125.270 125.110 | | | | | | | | CSB-20 12560 | | | | | | CSB-20 125110 | |
| 130 _{-0.063} | 135 ^{+0.040} | 135 ^{+0.170} _{+0.100} | 130.270 130.110 | | | | | | | CSB-20 13050 | CSB-20 13060 | CSB-20 13080 | | | | CSB-20 130100 | | |
| 140 _{-0.063} | 145 ^{+0.040} | 145 ^{+0.170} _{+0.100} | 140.270 140.110 | 0.339 0.110 | | | | | CSB-20 14050 | CSB-20 14060 | CSB-20 14080 | | | | CSB-20 140100 | | | |
| 150 _{-0.063} | 155 ^{+0.040} | 155 ^{+0.170} _{+0.100} | 150.270 150.110 | | | | | | | | CSB-20 15050 | CSB-20 15060 | CSB-20 15080 | | | | CSB-20 150100 | |
| 160 _{-0.063} | 165 ^{+0.040} | 165 ^{+0.170} _{+0.100} | 160.270 160.110 | | | | | | | CSB-20 16050 | CSB-20 16060 | CSB-20 16080 | | | | | CSB-20 160100 | |
| 170 _{-0.063} | 175 ^{+0.040} | 175 ^{+0.170} _{+0.100} | 170.270 170.110 | 0.354 0.110 | | | | | CSB-20 17050 | | CSB-20 17080 | | | | CSB-20 170100 | | | |
| 180 _{-0.063} | 185 ^{+0.046} | 185 ^{+0.210} _{+0.130} | 180.276 180.110 | | | | | | | CSB-20 18050 | CSB-20 18060 | CSB-20 18080 | | | | | CSB-20 180100 | |
| 190 _{-0.072} | 195 ^{+0.046} | 195 ^{+0.210} _{+0.130} | 190.276 190.110 | | | | | | | CSB-20 19050 | CSB-20 19060 | CSB-20 19080 | | | | | CSB-20 190100 | CSB-20 190120 |
| 200 _{-0.072} | 205 ^{+0.046} | 205 ^{+0.210} _{+0.130} | 200.276 200.110 | 0.339 0.110 | | | | | CSB-20 20050 | CSB-20 20060 | CSB-20 20080 | | | | CSB-20 200100 | CSB-20 200120 | | |
| 220 _{-0.072} | 225 ^{+0.046} | 225 ^{+0.210} _{+0.130} | 220.276 220.110 | | | | | | | CSB-20 22050 | CSB-20 22060 | CSB-20 22080 | | | | | CSB-20 220100 | CSB-20 220120 |
| 240 _{-0.072} | 245 ^{+0.046} | 245 ^{+0.210} _{+0.130} | 240.276 240.110 | | | | | | | CSB-20 24050 | CSB-20 24060 | CSB-20 24080 | | | | | CSB-20 240100 | CSB-20 240120 |
| 250 _{-0.072} | 255 ^{+0.052} | 255 ^{+0.260} _{+0.170} | 250.282 250.110 | 0.354 0.110 | | | | | CSB-20 25050 | CSB-20 25060 | CSB-20 25080 | | | | CSB-20 250100 | CSB-20 250120 | | |
| 260 _{-0.081} | 265 ^{+0.052} | 265 ^{+0.260} _{+0.170} | 260.282 260.110 | | | | | | | CSB-20 26050 | CSB-20 26060 | CSB-20 26080 | | | | | CSB-20 260100 | CSB-20 260120 |
| 280 _{-0.081} | 285 ^{+0.052} | 285 ^{+0.260} _{+0.170} | 280.282 280.110 | | | | | | | CSB-20 28050 | CSB-20 28060 | CSB-20 28080 | | | | | CSB-20 280100 | CSB-20 280120 |
| 300 _{-0.081} | 305 ^{+0.052} | 305 ^{+0.260} _{+0.170} | 300.282 300.110 | | | | CSB-20 30050 | CSB-20 30060 | CSB-20 30080 | | | | | CSB-20 300100 | CSB-20 300120 | | | |

CSB-20 Metric Thrust Washer and Strip

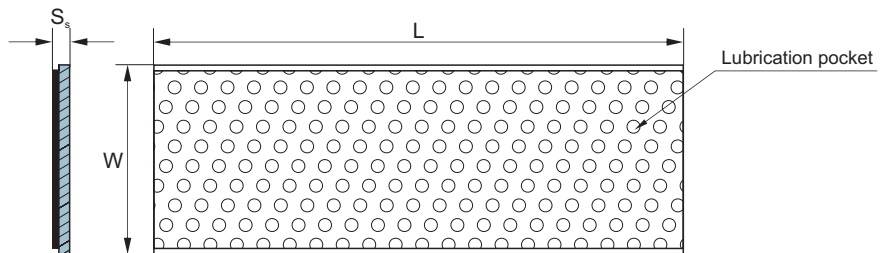
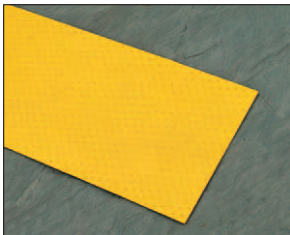
Metric thrust washer



Unit:mm

| Shaft D_s | Designation | Washer dimension | | | | Installation size | | |
|----------------|-------------|------------------|-------------|-------------|-----------------|---------------------|---------------|-------------|
| | | $D_i +0.25$ | $D_o -0.25$ | $S_T -0.05$ | $d_p \pm 0.125$ | $d_b^{+0.4}_{+0.1}$ | $H_a \pm 0.2$ | $H_i +0.12$ |
| 8 | CSB-20WC10 | 10 | 20 | 1.5 | 15 | 1.5 | 1 | 20 |
| 10 | CSB-20WC12 | 12 | 24 | | 18 | | | 24 |
| 12 | CSB-20WC14 | 14 | 26 | | 20 | 26 | | |
| 14 | CSB-20WC16 | 16 | 30 | | 23 | 30 | | |
| 16 | CSB-20WC18 | 18 | 32 | | 25 | 32 | | |
| 18 | CSB-20WC20 | 20 | 36 | | 28 | 36 | | |
| 20 | CSB-20WC22 | 22 | 38 | | 30 | 3 | 38 | |
| 22 | CSB-20WC24 | 24 | 42 | | 33 | | 42 | |
| 24 | CSB-20WC26 | 26 | 44 | | 35 | 4 | 44 | |
| 26 | CSB-20WC28 | 28 | 48 | | 38 | | 48 | |
| 30 | CSB-20WC32 | 32 | 54 | | 43 | | 54 | |
| 36 | CSB-20WC38 | 38 | 62 | | 50 | | 62 | |
| 40 | CSB-20WC42 | 42 | 66 | | 54 | | 66 | |
| 46 | CSB-20WC48 | 48 | 74 | | 61 | | 1.5 | 74 |
| 50 | CSB-20WC52 | 52 | 78 | 65 | 78 | | | |
| 60 | CSB-20WC62 | 62 | 90 | 76 | 90 | | | |

Metric standard strip



Unit:mm

| Type | Length ± 1 | Width ± 1 | Thickness -0.05 |
|----------|----------------|---------------|-----------------|
| CSB-20SP | 500 | 150 | 1.0 |
| CSB-20SP | 500 | 150 | 1.5 |
| CSB-20SP | 500 | 150 | 2.0 |
| CSB-20SP | 500 | 150 | 2.5 |